

# Topic Learning - To the Moon and Back!

Two week topic; weeks beginning 1<sup>st</sup> and 8<sup>th</sup> June



*Suggested Activities to choose from - feel free to take ideas from either column. You have 2 pages of ideas to cover 2 weeks. You do not have to do all these activities!*

*Scroll down for Mrs Davis' super computer game!*

Key Stage 1	Key Stage 2
<p>1) <u>Geography</u>: Look at a photo of the Earth from space. Can you name the oceans and continents?</p> <p>2) <u>History</u>: Find out about the first man on the moon. Make a poster or picture about his experience. Cut and stick or draw pictures to create a timeline about space flight.</p> <p>3) <u>Science</u>: Balloon Rockets. Thread a straw onto a long piece of string. Tie the string across a room Place a strip of tape over the top of the straw, blow up a balloon (Works best with a long balloon) without tying it off and attach to the tape. Let go of the balloon and watch it fly across the room. Talk about forces - push and pulls Make Moon Rocks by mixing baking soda, glitter (if you have some), some water and food colouring together. Leave the rocks for a few hours to dry. Then, slowly add drops of vinegar using medicine syringe or a teaspoon to your space rocks and watch what happens. Talk about chemical reactions between alkaline &amp; acids.</p> <p>4) <u>Art</u>: Make space pictures, with paints or chalks. Wax resist; Use wax crayon to draw a space picture then use thin black paint to wash over the top. Create an alien family using hand prints and foot prints in paint,</p>	<p>1) <u>Geography</u>: Name the oceans and continents of the world. Investigate the other planets in our solar system. What are they made of? How are they the same/different. Can you name the planets? <a href="https://www.twinkl.co.uk/resource/tg2-a-01-movement-of-the-planets-in-our-solar-system-animation">https://www.twinkl.co.uk/resource/tg2-a-01-movement-of-the-planets-in-our-solar-system-animation</a></p> <p>2) <u>History</u>: Investigate the history of space flight. Create a timeline. Research a famous space explorer and create an information page, powerpoint, or poster.</p> <p>3) <u>Science</u>: Make a bottle rocket powered by a chemical reaction just like real rockets. Follow the instructions from the BBC here <a href="https://www.bbc.co.uk/teach/terrific-scientific/KS2/zr63d6f">https://www.bbc.co.uk/teach/terrific-scientific/KS2/zr63d6f</a> or from the Royal Institution here <a href="https://www.rigb.org/families/experimental/fizzy-bottle-rockets">https://www.rigb.org/families/experimental/fizzy-bottle-rockets</a></p> <p><b>You must do these experiments with help from a grown up!</b> Make a paper rocket and see how far you can launch it using a straw (see diagrams below).</p> <p>4) <u>Art</u> Create a space collage using silver foil, sweet wrappers, wrapping paper. Sculpt your own moonscape, planet, model or a mobile of the solar system (not to scale!) using salt dough or paper mache.</p> <p>5) <u>DT</u>: Design your own space themed board game. - Could be on a hundred square like snakes and</p>

<https://www.twinkl.co.uk/resource/t-t-19414-space-craft-activity-pack>

Make a Space Rock - Find a rock in the garden and paint it in a range of colours and glitter.

5) **D&T:** Design and create your own rocket ship from recycled materials.

Make a rocket ship den with control panels in the garden or your room.

Create an alien out of a kitchen roll tube and paper.

6) **Music:** Make up a song to help others remember the rules about social distancing or washing your hands to the tune of Twinkle, Twinkle Little Star. Teach it to a friend on the phone or by zoom or Email.

ladders or on a track. Make small rockets to move along.

Make a flying saucer or a rocket ship porthole out of paper plates see the Twinkl website for ideas

<https://www.twinkl.co.uk/resource/t-t-19414-space-craft-activity-pack>

6) **Music:** Listen to "Space" music - Mars from The Planet Suite by Holst and Star Wars music by John Williams. Do you notice any similarities? Can you find recyclable materials or kitchen utensils to make up your own weird alien sounds or music?

Make up a song of your own to the tune of Twinkle, Twinkle, little star.

Computing KS1 and KS2 (KS2 may like to remix these games or make up one of their own):

Follow the links to play the Scratch games by Mrs Davis.

<https://scratch.mit.edu/projects/397104649>

<https://scratch.mit.edu/projects/396982412>

look at the 'Look inside' button to see the coding.

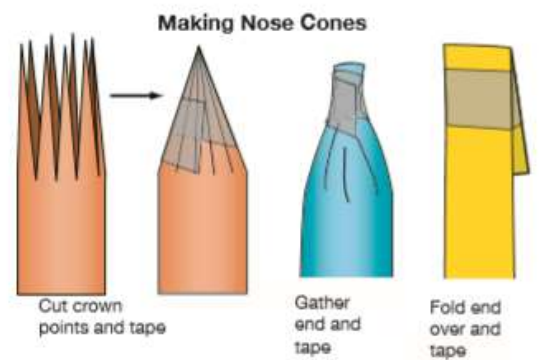
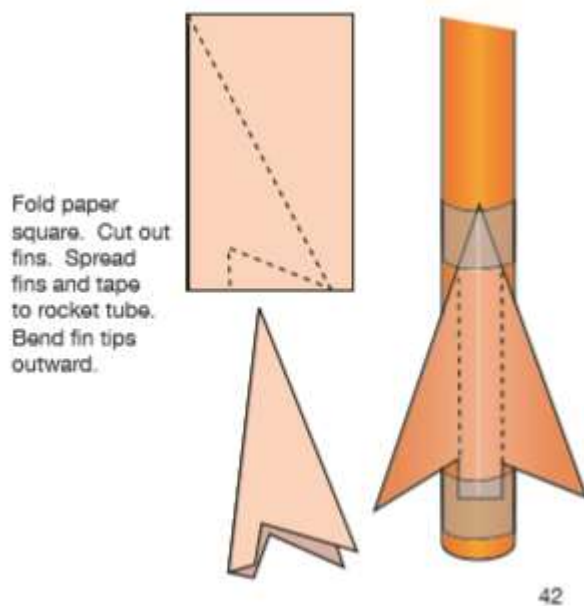
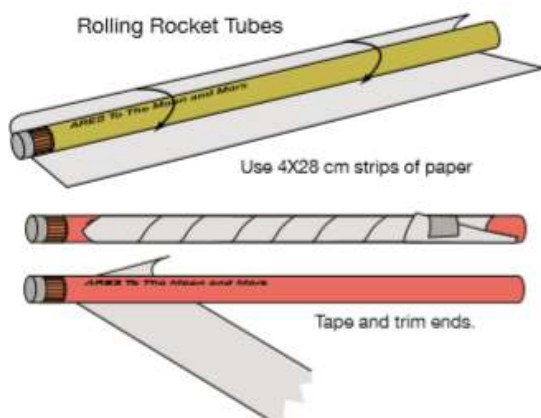
You can download a junior version of Scratch to a tablet from your app store - 'Scratch Junior' and it is lots of fun because you can make your own animations.

Get Active! - Joe Wicks daily activity, Go Noodle Kids.

Cosmic Kids Yoga; Star Wars the Force Awakens <https://www.youtube.com/watch?v=coC0eUSm-pc>

Mike and Mutnik on the Moon <https://www.youtube.com/watch?v=v9W8iV4AJYQ>

Mike the Cosmic Space Monkey <https://www.youtube.com/watch?v=LZAaZDVqCiA>



*Make sure your rocket is not pointing towards anyone when you launch it.*

